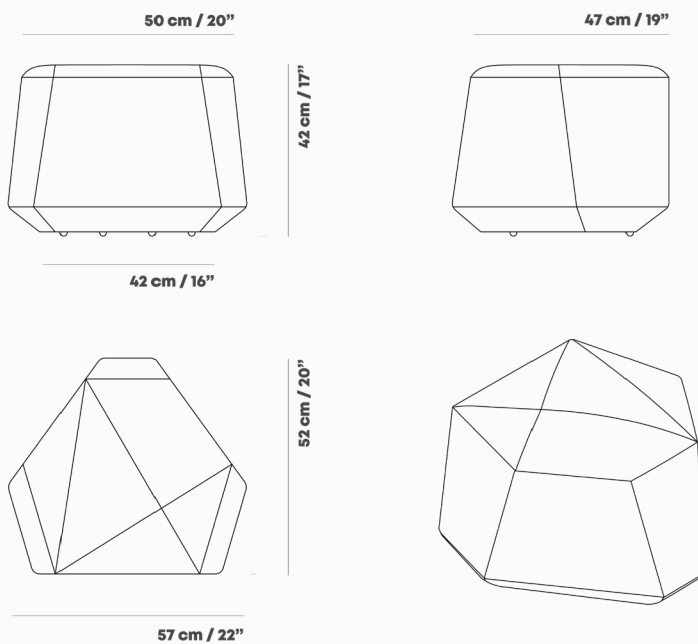


CRYSTAL PETIT POUF

D 57
W 52
H 42



PETIT POUF

D 57
W 52
H 42

MATERIALS

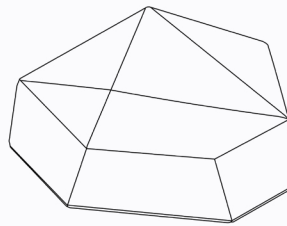
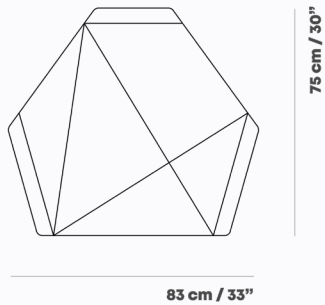
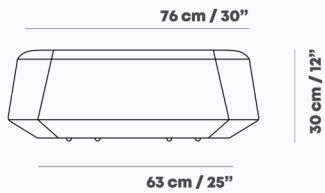
Structure: Cross solid beech, plywood and panels.

Base: Lacquered solid beech, 3 small carbon lacquer wheels, diameter: 3cm.

Fixed seat: HR polyurethane foam 37kg/m³, covered with polyurethane contact foam 20kg/m³.

— CRYSTAL GRAND POUF

D 83
W 76
H 30



GRAND POUF

D 83
W 76
H 30

MATERIALS

Structure: Cross solid beech, plywood and panels.

Base: Lacquered solid beech, 5 small carbon lacquer wheels, diameter: 3cm. Fixed seat: HR polyurethane foam 37kg/m³, covered with polyurethane contact foam 20kg/m³.