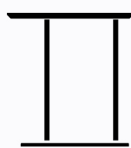
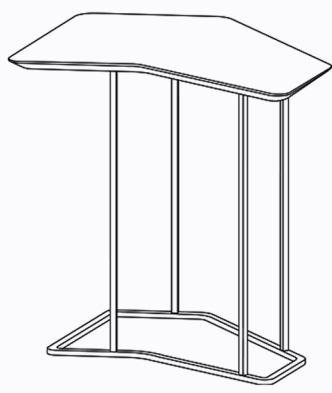
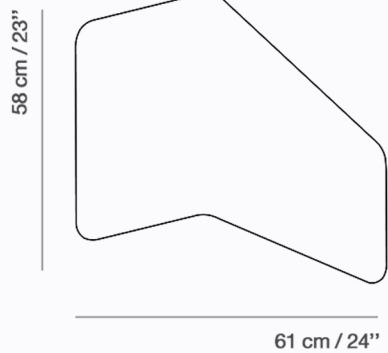
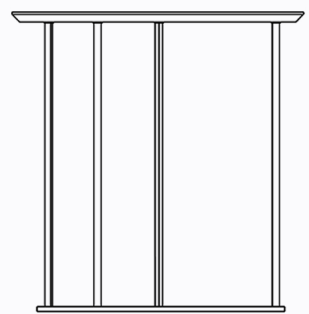
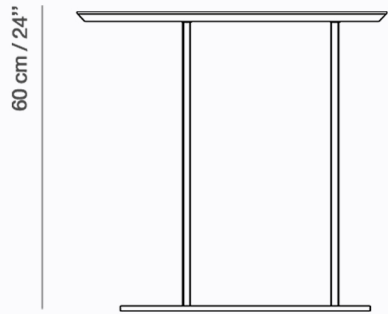


# — TABLE LUI



## TABLE LUI

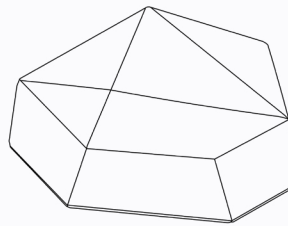
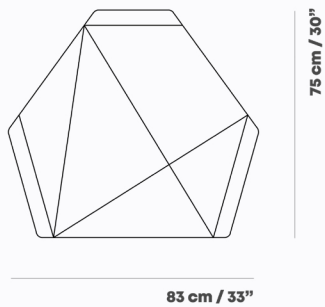
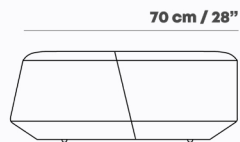
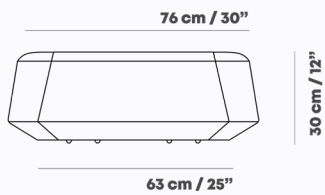
D 58  
W 61  
H 60

## MATERIALS

Metal structure 20x10mm, epoxy paint, matt lacquer  
MDF top. These two complimentary side tables come  
in 6 colours and 12 combinations .

# — CRYSTAL GRAND POUF

D 83  
W 76  
H 30



## GRAND POUF

D 83  
W 76  
H 30

## MATERIALS

Structure: Cross solid beech, plywood and panels.

Base: Lacquered solid beech, 5 small carbon lacquer wheels, diameter: 3cm. Fixed seat: HR polyurethane foam 37kg/m<sup>3</sup>, covered with polyurethane contact foam 20kg/m<sup>3</sup>.